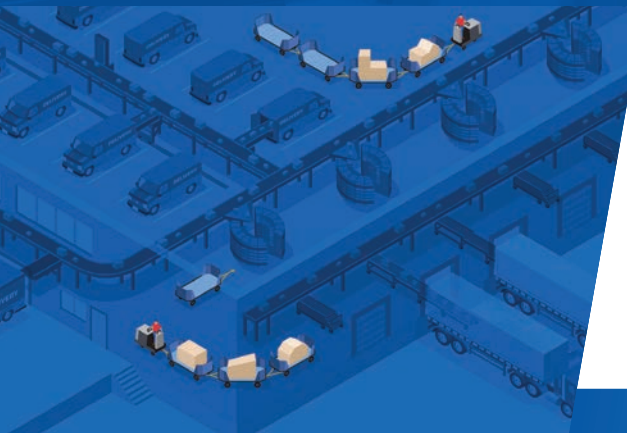


Irregular Carts

Easily transport large, oversized packages.

Open-sided cart to more easily move irregular size packages within a parcel hub or DC. Large-capacity, reinforced steel construction takes on as much as 1,500 lbs. Connect multiple trailers to increase speed and quantity of oversized packages being transported within operation. 4-wheel steering allows trailers to follow inline, tracking behind each other, with tight turn radius – providing ease of maneuverability for heavy loads even in the tightest of spaces.



AIRCRAFT LOAD/UNLOAD
FREIGHT TRANSFER
CONVEYING OPERATIONS
ULD/PALLET MANEUVERABILITY

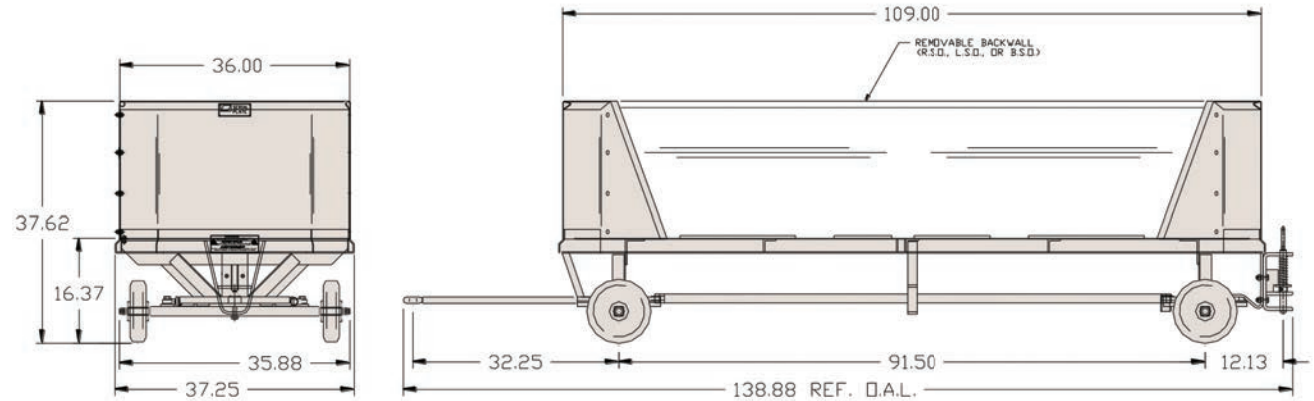


Options

- Optional bolt-in **back wall**
- Optional **weatherkit** available

SPECIFICATIONS

Capacity	Up to 1,500 lbs.
Width (track)	36.0 inches
Length	109.0 inches
Panels	12-gauge, CR sheet
Running Gear	Four-wheel independent rubber torsion
Rear Hitch	Spring-loaded E-hitch



AIRCRAFT LOAD/UNLOAD
 FREIGHT TRANSFER
 CONVEYING OPERATIONS
 ULD/PALLET MANEUVERABILITY

A world leader in airline, air cargo and material handling equipment for over 40 years, FAST Global Solutions designs, builds, installs and services an expansive portfolio of robust, ruggedly-built, dependable equipment for today's global commerce operations.

To learn more, contact the knowledgeable and experienced FAST Team:

conveyorsales@fastsolutions.com +1 (320) 634-5126 fastsolutions.com